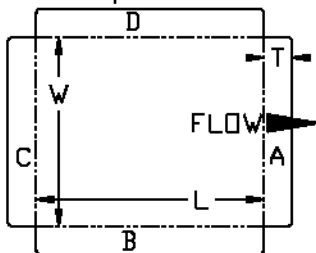


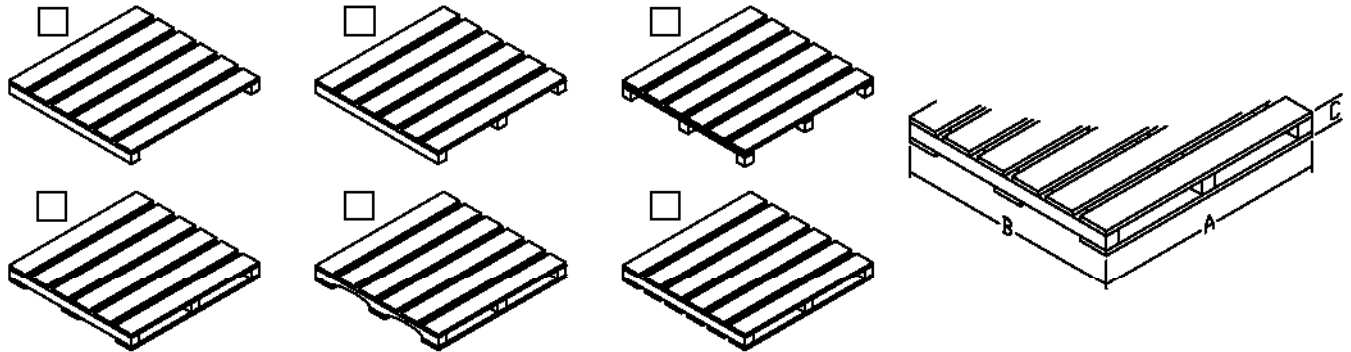
WRAPPED PRODUCT SPECS					
Current Product Wrap Method:					
Load Surface Colors:		(dark or shiny colors require special optional load height detection package)			
Individual Product Package:		Bags <input type="checkbox"/>	Bottles <input type="checkbox"/>	Cartons <input type="checkbox"/>	
Type of Product:		Other: _____			
LOAD STORAGE					
Automated Warehouse <input type="checkbox"/> Outside Storage <input type="checkbox"/> Domestic <input type="checkbox"/> Export <input type="checkbox"/> Long Term <input type="checkbox"/>					
LOAD SHIPPING					
Truck <input type="checkbox"/> Rail <input type="checkbox"/> Boat <input type="checkbox"/> Open Air <input type="checkbox"/> Van <input type="checkbox"/>					
LOAD SPECS					
Overall Load Dimensions	(along flow) Length	(across flow) Width	(incl. pallet) Height	(lbs) Weight	% of Production
Maximum					
Average					
Minimum					

Top Layer configuration:	Full <input type="checkbox"/> Partial <input type="checkbox"/> Uneven <input type="checkbox"/> Other: _____				
Stacking Pattern:	Column <input type="checkbox"/> Interlocked <input type="checkbox"/> Other: _____				
Load Stability:	Can Be <b>Conveyed at 30 fpm</b> Yes <input type="radio"/> No <input type="radio"/> Can Be <b>Rotated at 15 rpm</b> Yes <input type="radio"/> No <input type="radio"/> Requires <b>Top Platen</b> Yes <input type="radio"/> No <input type="radio"/>				
Load Support:	Pallet <input type="checkbox"/> Slip Sheet <input type="checkbox"/> Pallet & Slip Sheet <input type="checkbox"/> Palletless <input type="checkbox"/> Other: _____				
Top Sheet Dispenser:	Required: Yes <input type="radio"/> No <input type="radio"/> Type: In Line <input type="checkbox"/> In Cycle <input type="checkbox"/> (dust tight) (water tight)				
Rigid Top Cap applicator:	Required: Yes <input type="radio"/> No <input type="radio"/> (in line available only)				
Slip Sheet with Tabs:	Yes <input type="radio"/> No <input type="radio"/> Top <input type="checkbox"/> Bottom <input type="checkbox"/>				
	Length (L):	Width (W):	Tab Length (T):		
	Tabs to be Folded: A <input type="checkbox"/> B <input type="checkbox"/> C <input type="checkbox"/> D <input type="checkbox"/>				



**PALLET SPECS**

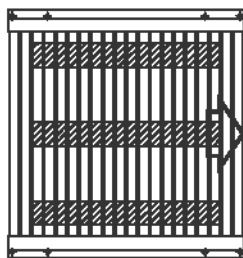
(Check mark types of pallets to be used)



Pallet Dimensions (inches)	A	B	Pallet Thickness C	Bottom Boards Number	Bottom Boards Width
Type 1					
Type 2					
Type 3					

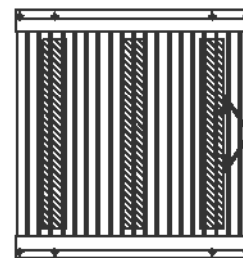
Pallet Condition:      New                       Used                       Reconditioned

**PALLET TO FLOW ORIENTATION**



Easy-Way

Pallet Bottom Boards Running Perpendicular to Conveyor Rollers



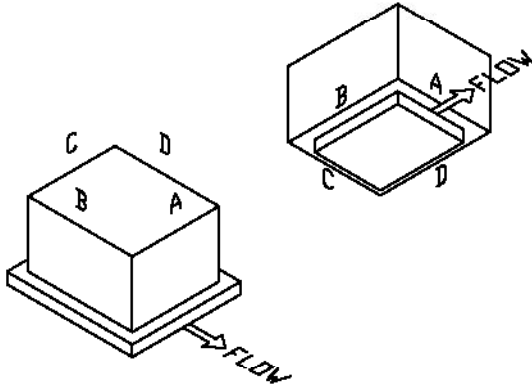
Hard-Way

Pallet Bottom Boards Running Parallel to Conveyor Rollers

Note: Easy-Way pallet orientation is highly recommended since load weight is distributed over many rollers, thus ensuring smooth load flow and efficient transfer between conveyor sections.

Hard-Way pallet orientation may require special conveyor design such as higher weight capacity, closer roller spacing, drag chain type, etc.

**LOAD PROFILE**



**Maximum Load Overhang from Pallet Edges**

Side	A	B	C	D
Inches				

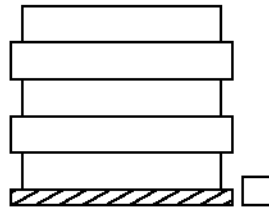
See note at bottom of page

**Maximum Load Inboard from Pallet Edges**

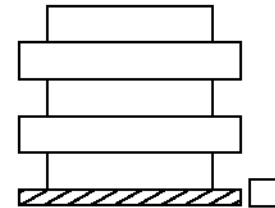
Side	A	B	C	D
Inches				



**Profile A**  
No Puncture Hazard



**Profile B**  
Light Puncture Hazard



**Profile C**  
Severe Puncture Hazard

**PRODUCTION RATE & WRAP PATTERN**

**Production Loads Per Hour**  
 Normal  Peak  Future

**Top Wraps:**  **Web Overwrap [over top of load]:**  Inches

**Bottom Wraps:**  **Web Overlap [during spiral]:**  Inches

Circle Required Prestretch Ratio:  Std 200%  
 Other:  50%  75%  100%  125%  150%  175%  225%  250%  275%  300%

Carriage size? 20"  30"  Film Gauge?

(Wulftec's powered pre-stretch carriage standard film range capacity is 60 gauge to 1.5 mils)

**WRAP SPECS**

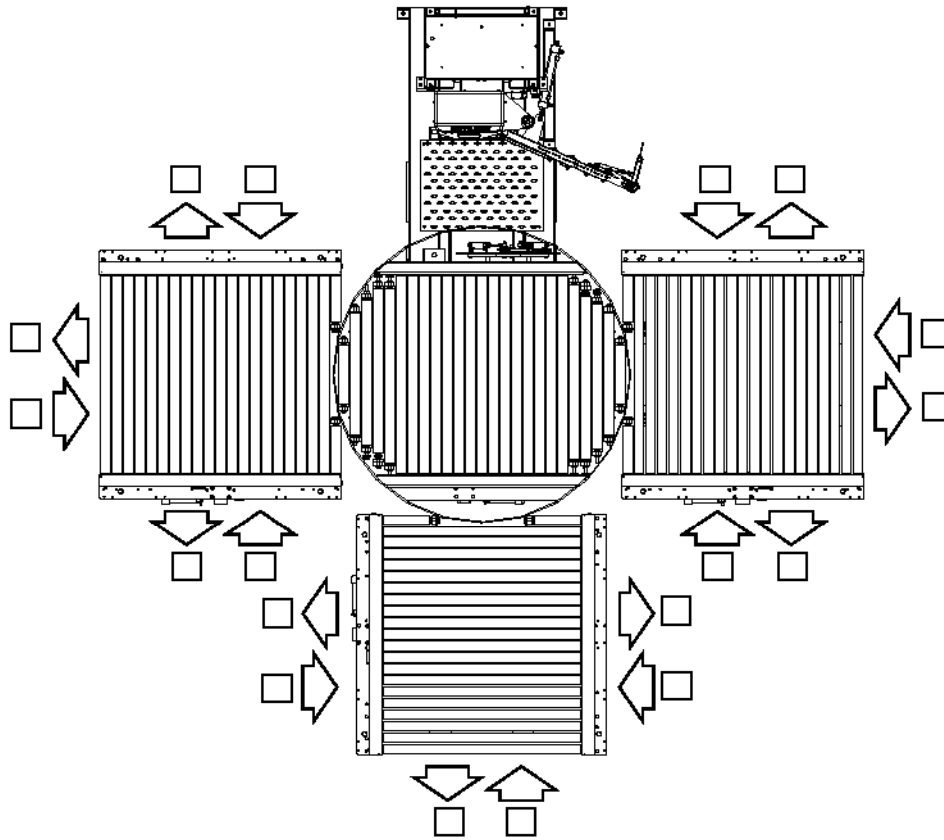
(Check mark required items)

Item	Description
Std Wrap: 2" up from top of rollers	<input type="checkbox"/> (Wrap load & part of pallet)
Non Std Wrap: wrap load & not pallet	<input type="checkbox"/> Indicate height from top of rollers:
Non Std Wrap: wrap entire load & pallet	<input type="checkbox"/> (Requires pop-up option)
Banding Wrap	<input type="checkbox"/>
One Way Wrap	<input type="checkbox"/>
Other Wrap Pattern	<input type="checkbox"/> Describe:

Note: Large inboard or overhang conditions may impair wrap ability to secure load to pallet.

**TYPE OF SYSTEM**

**TURNTABLE SYSTEM LOADING AND FLOW SPECS**  
 CIRCLE REQUIRED LOADING UNLOADING POINTS (ARROWS)

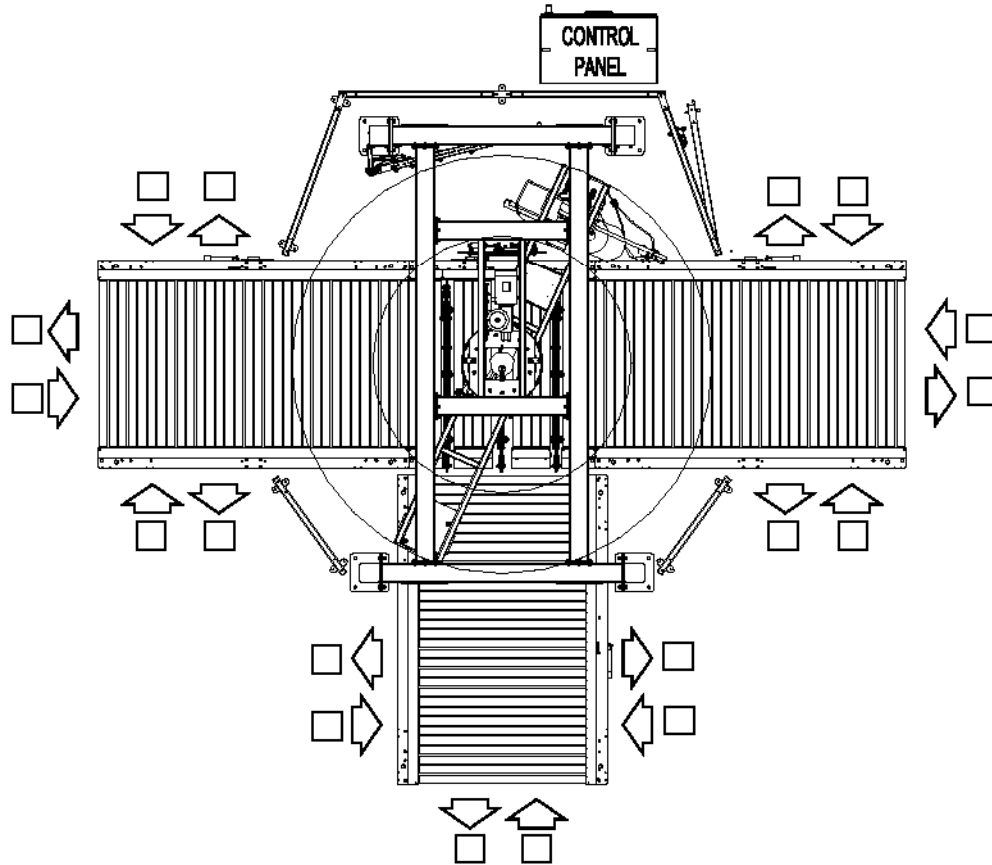


Other (Attach sketch)

(Check mark required items)

Standard	<input checked="" type="checkbox"/>	Required Non-Standard (Describe)	<input checked="" type="checkbox"/>
In Tower	<input type="checkbox"/>	<b>Controls</b>	<input type="checkbox"/> In NEMA Enclosure
Beside Tower Controls Facing Infeed Conveyor	<input type="checkbox"/>	<b>Enclosure Location</b>	<input type="checkbox"/> Show position & distances on sketch
Straight Through	<input type="checkbox"/>	<b>Flow</b>	<input type="checkbox"/> 90° Index on Infeed
			<input type="checkbox"/> 90° Index on Outfeed

**ROTARY ARM SYSTEM LOADING AND FLOW SPECIFICATIONS**  
**CIRCLE REQUIRED LOADING UNLOADING POINTS (ARROWS)**



Other (See attached sketch)

(Check mark required items)

Standard	✓	Required Non-Standard (Describe)	✓
As Shown on Above Sketch	<input type="checkbox"/>	<b>Enclosure Location</b>	<input type="checkbox"/> Show position & distances on sketch
By Wulftec	<input type="checkbox"/>	<b>Process Conveyor</b>	<input type="checkbox"/> By Others
Straight Through	<input type="checkbox"/>	<b>Flow</b>	<input type="checkbox"/> 90° Index on Infeed
			<input type="checkbox"/> 90° Index on Outfeed

**CONVEYOR SYSTEM CONFIGURATION**

**Note:** All required conveyors must be listed.

Required Conveyor Sections	Number	Length (Feet)
Powered Infeed Sections		
Powered Process Section (rotary arm system)		---
Powered Process Turntable		---
Powered Outfeed Sections		
Gravity Outfeed Sections		

**CONVEYOR SYSTEM SPECIFICATIONS**

(check mark required items)

Standard	✓		✓	Required Non-Standard (Describe)
Rollers	<input type="checkbox"/>	<b>Conveyor Type</b>	<input type="checkbox"/>	Chain Conveyors
			<input type="checkbox"/>	Other:
30 fpm	<input type="checkbox"/>	<b>Speed</b>	<input type="checkbox"/>	
18"	<input type="checkbox"/>	<b>Pass Height (top of rollers or top of chains)</b>	<input type="checkbox"/>	
52"	<input type="checkbox"/>	<b>BFR</b>	<input type="checkbox"/>	
2½"Ø	<input type="checkbox"/>	<b>Rollers Diameter</b>	<input type="checkbox"/>	
3" c/c	<input type="checkbox"/>	<b>Rollers Center to Center</b>	<input type="checkbox"/>	
3.75" c/c (wca-150)	<input type="checkbox"/>			
17" c/c	<input type="checkbox"/>	<b>Chains Center to Center</b>	<input type="checkbox"/>	
Single Fwd Jog *	<input type="checkbox"/>	<b>Manual Function</b>	<input type="checkbox"/>	Independent Fwd/Rev per each Section

**\*Note:**

WCRT-200: process conveyor comes standard with manual Fwd/Rev function.

WCA-200: turntable process conveyor, 1 infeed and 1 outfeed conveyor, each come standard with manual Fwd/Rev function.

**LOADING / UNLOADING**

(Check mark required items)

<b>Infeed to Wulftec System</b>	✓
From Palletizer Conveyor	<input type="checkbox"/>
By Fork Lift	<input type="checkbox"/>
By Dual Fork Lift	<input type="checkbox"/>
By Clamp Truck	<input type="checkbox"/>
By Push/Pull	<input type="checkbox"/>
By Powered Hand Jack *	<input type="checkbox"/>
By Manual Hand Jack *	<input type="checkbox"/>
By Overhead Monorail	<input type="checkbox"/>

<b>Outfeed from Wulftec System</b>	✓
To Other Powered Conveyor	<input type="checkbox"/>
To Other Gravity Conveyor	<input type="checkbox"/>
By Fork Lift	<input type="checkbox"/>
By Dual Fork Lift	<input type="checkbox"/>
By Clamp Truck	<input type="checkbox"/>
By Push/Pull	<input type="checkbox"/>
By Powered Hand Jack *	<input type="checkbox"/>
By Manual Hand Jack *	<input type="checkbox"/>
By Overhead Monorail	<input type="checkbox"/>

Note: If you have checked any "Hand Jack", please specify fork sizes and spacing (between forks) hereafter:

---



---



---

**COMMUNICATIONS**

(Check mark required items)

<b>with Wulftec Infeed Station</b>	
Dry Contact Signal (std)	<input type="checkbox"/>
Time Delay Photoeye	<input type="checkbox"/>
Safety Fork Lift Photoeye	<input type="checkbox"/>
Pull Cord Station	<input type="checkbox"/>
Lanyard Push Button Station	<input type="checkbox"/>
Pedestal Push Button Station	<input type="checkbox"/>

<b>with Wulftec Outfeed Station</b>	
Dry Contact Signal (std)	<input type="checkbox"/>
Time Delay Photoeye	<input type="checkbox"/>
Safety Fork Lift Photoeye	<input type="checkbox"/>
Pull Cord Station	<input type="checkbox"/>
Lanyard Push Button Station	<input type="checkbox"/>
Pedestal Push Button Station	<input type="checkbox"/>

**SYSTEM COMPONENTS SPECIFICATIONS**

(Check mark required items)

Standard	✓	Component	✓	Required Non-Standard (Describe)
Allen Bradley SLC 5/03 (wcr-200 / wca-200) Micrologix 1200 (wcr-175 / wca-150)	<input type="checkbox"/>	<b>PLC</b>	<input type="checkbox"/>	
Allen Bradley Power Flex 4 – 230 V	<input type="checkbox"/>	<b>Drives</b>	<input type="checkbox"/>	
Balder 208-230/460VAC/3Ph/60Hz	<input type="checkbox"/>	<b>Motors</b>	<input type="checkbox"/>	
Sick	<input type="checkbox"/>	<b>Phoyeyes</b>	<input type="checkbox"/>	
Allen Bradley	<input type="checkbox"/>	<b>Limit Switches</b>	<input type="checkbox"/>	
Allen Bradley Panel View 600	<input type="checkbox"/>	<b>Screen &amp; Switches</b>	<input type="checkbox"/>	
SMC	<input type="checkbox"/>	<b>Pneumatics</b>	<input type="checkbox"/>	
English	<input type="checkbox"/>	<b>Control Panel Language</b>	<input type="checkbox"/>	
20"	<input type="checkbox"/>	<b>Film Size</b>	<input type="checkbox"/>	Optional 30"
Standard	<input type="checkbox"/>	<b>Film Type</b>	<input type="checkbox"/>	One Side Cling (may require optional reversed carriage orientation to prevent slippage)

**PAINT SPECS**

(Check mark required items)

Item	✓	Notes
Wulftec Std Gray	<input type="checkbox"/>	
Special Color	<input type="checkbox"/>	Customer to Supply Paint Chips or Paint Specs
Epoxy Paint *	<input type="checkbox"/>	
Steel It Paint *	<input type="checkbox"/>	
Other Non Std Paint	<input type="checkbox"/>	Make, Type, Color
Enclosure color	<input type="checkbox"/>	Standard gray <input type="checkbox"/> Other:

**\*Note:**

Epoxy paint is mainly used in wash down applications and food processing plants.

Steel It paint is weather, abrasion and corrosion resistant. It is used in applications such as ultraviolet rays, chemicals, oils, alkalis, food acid, water immersion, abrasion, and high-pressure wash-downs. Available in gray color only. USDA Approved.

**FIELD SITE CONDITIONS**

Ceiling Clearance Height:  Inches

**Temperature**      Maximum:  F      Typical:  F      Minimum:  F

Full Height Wash Down Area       Up to Conveyor       Top Line Wash Down Area       Very Dusty

Potential Corrosives      Other Conditions: \_\_\_\_\_

**POWER SUPPLY SPECS**

(Check mark required items)

Standard	✓	✓	Non-Standard (Describe)
Wulftec Std 230VAC / 3Ph / 60Hz	<input type="checkbox"/>	<input type="checkbox"/>	VAC:      Ph:      Hz:
Consistent	<input type="checkbox"/>	<input type="checkbox"/>	Subject to Spikes / Drops / Surges
Not Required	<input type="checkbox"/>	<input type="checkbox"/>	Required Lightning Arrestor Only *
		<input type="checkbox"/>	Required Full Power Regulator *

\* Note: Lightning arrestor includes only surge coil. Full power regulator includes filters, peak clipper, and regulator circuits.

**COMPRESSED AIR SUPPLY SPECS**

(Check mark required items)

Standard	✓	✓	Non-Standard (Describe)
Wulftec Std 3 CFM / 80 PSI Clean Dry Air	<input type="checkbox"/>	<input type="checkbox"/>	PSI:      CFM: Clean Dry Air
Not Required	<input type="checkbox"/>	<input type="checkbox"/>	No compressed air available on site
Not Required	<input type="checkbox"/>	<input type="checkbox"/>	No clean dry air supply on site

**SYSTEM INSTALLATION & START UP**

Installation?	by Wulftec <input type="checkbox"/>	by Distributor <input type="checkbox"/>	by Outside Contractor <input type="checkbox"/>	by Plant Personnel <input type="checkbox"/>
*Start-up?	by Wulftec <input type="checkbox"/>	by Distributor <input type="checkbox"/>	by Outside Contractor <input type="checkbox"/>	by Plant Personnel <input type="checkbox"/>

\*Note: Start-up must be done or supervised by a certified Wulftec technician.

**DOCUMENTATION**

(Indicate total number of items required)

for **CUSTOMER**

for **DISTRIBUTOR**

User Manual (Std = 1 for Customer + 1 for Distributor)
Program Disk (Std = 1 for Customer + 1 for Distributor)
Electrical Schematics(Std = 1 for Customer + 1 for Distributor)
Program Print Out (Non Std)



Once completed, send to your Sales Representative

**Reset**

Ray Woodford

Tom Brani

Gregg Hopkins

Ken White

Mike San Miguel

Martin Pelletier

Priscille Tremblay

Mario Tornini